



— COLLECTION —

STANLEY

PASSION AT WORK SINCE 1996

STANLEY GROUP

- 23 years of manufacturing excellence
- 1200 employees
- 3,50,000sft state-of-the-art manufacturing facility
- 1 million seats produced

CERTIFICATIONS



CLIENTS

Automotive seating clients



Furniture seating clients



Small goods clients



Special projects



STANLEY DESIGN & DEVELOPMENT TEAM



Sunil Suresh

- Indian
- Age : 52
- Founder & CEO
- Chief design mentor



Angelo Raffaele Laquale

- Italian
- Age : 48
- Sofa designer and pattern maker par excellence

Eric Sakellaropoulos

- French Canadian
- Age : 56
- Furniture designer and master carpenter



Rohit Gowda

- Indian
- Age : 40
- Seating expert and NPD head



Development Team



INDEX

ARIES



Pg. No. 8, 9

AUSTIN



Pg. No. 10, 11

WALTON



Pg. No. 28, 29

WILLIAM



Pg. No. 30, 31

BONN



Pg. No. 12, 13

CARTER



Pg. No. 14, 15

LEO & CHARLOTTE
HOME THEATRE SEATING



Pg. No. 32, 33

CHAIR



Pg. No. 34, 35

CHARLOTTE



Pg. No. 16, 17

LEO



Pg. No. 18, 19

UPHOLSTERY COLLECTION



Pg. No. 36, 37

LUSTER



Pg. No. 20, 21

MASON



Pg. No. 22, 23

OLIVER



Pg. No. 24, 25

SOPHIE



Pg. No. 26, 27

ARIES

3 SEATER (2R) + 2 SEATER (2R) + 1 SEATER (1R)



ARIES

3 SEATER (1R) + U-CORNER + 3 SEATER (1R)

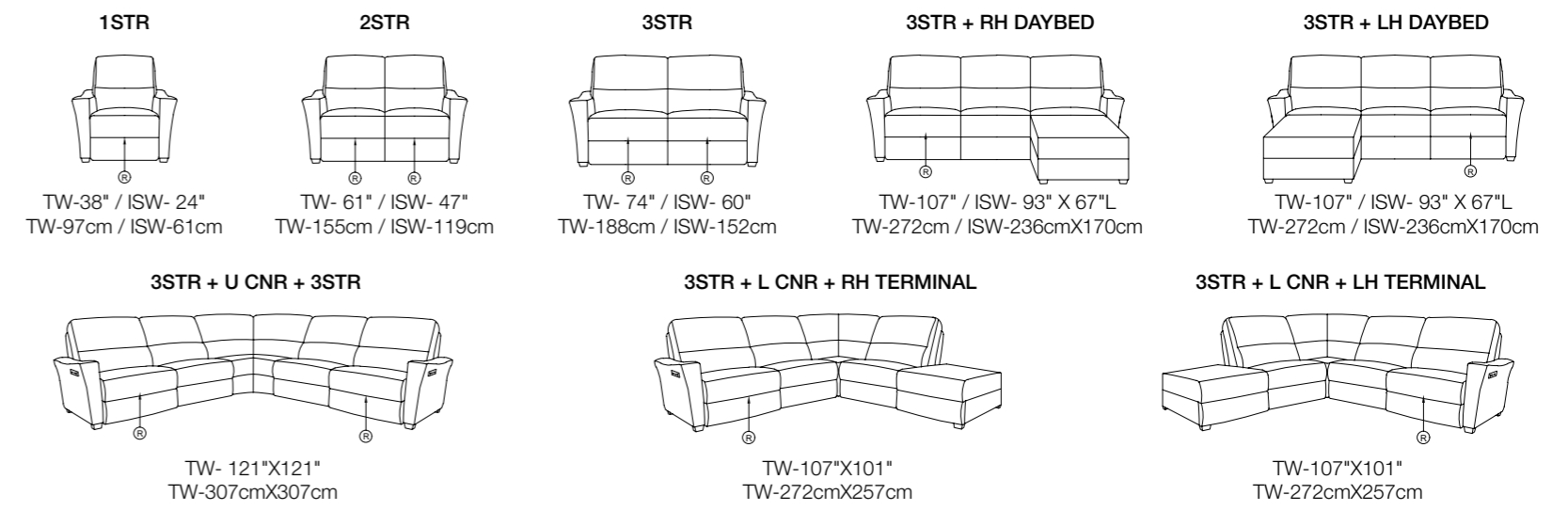


ARIES

3 SEATER (1R) + L-CORNER + TERMINAL



ARIES - VARIANTS & DIMENSIONS



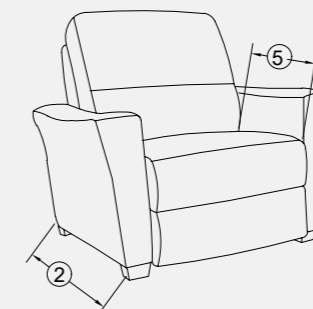
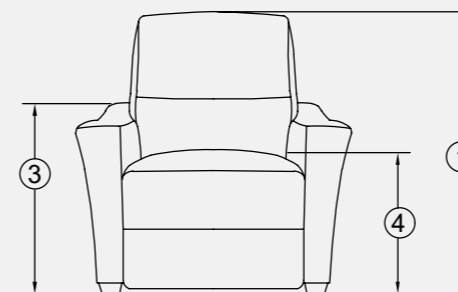
ARIES

3 SEATER (1R) + DAYBED



Note : This model can be made in any of the above 3 categories

® Recliner



1. Total height - 42" (107cm)
2. Total Depth
 - Total Depth (Before Reclining) - 40" (102cm) - 110°
 - Total Depth (TV Position) - 55" (140cm) - 120°
 - Total Depth (After Reclining) - 61" (155cm) - 140°
3. Arm Rest Height - 26" (66cm)
4. Seat Height - 19" (48cm)
5. Seat Depth - 20" (51cm)

AUSTIN

3 SEATER (2R) + 2 SEATER (2R) + 1 SEATER (1R)



AUSTIN

3 SEATER (1R) + U-CORNER + 3 SEATER (1R)



AUSTIN

3 SEATER (1R) + L-CORNER + TERMINAL

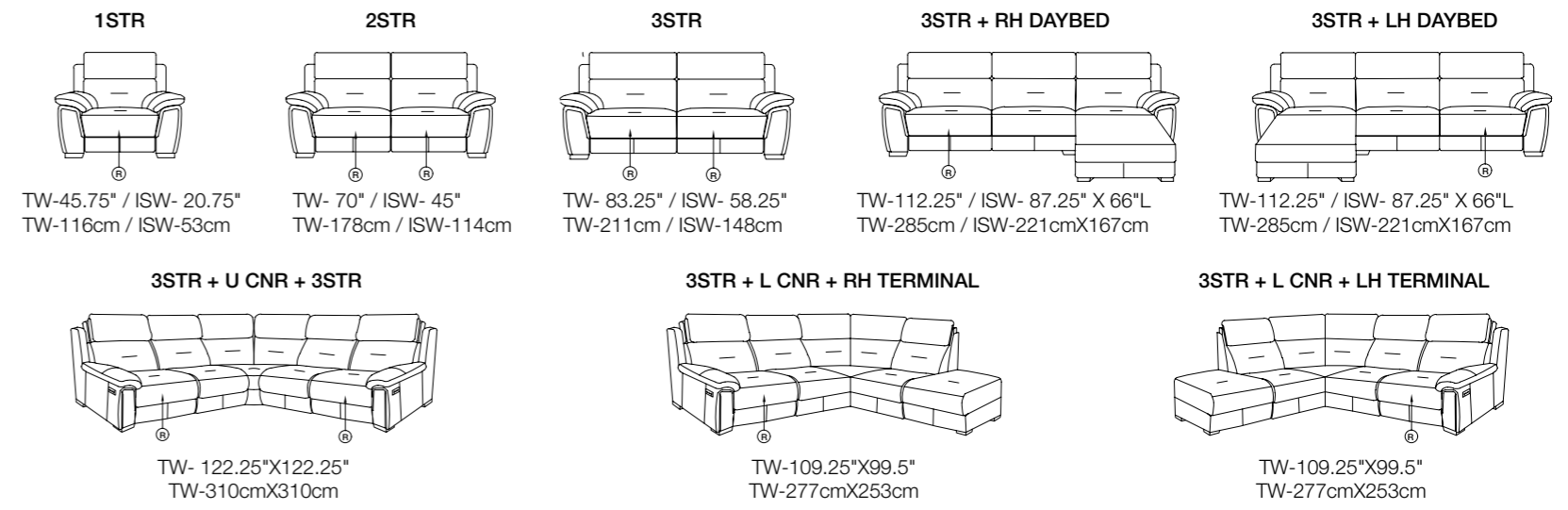


AUSTIN

3 SEATER (1R) + DAYBED

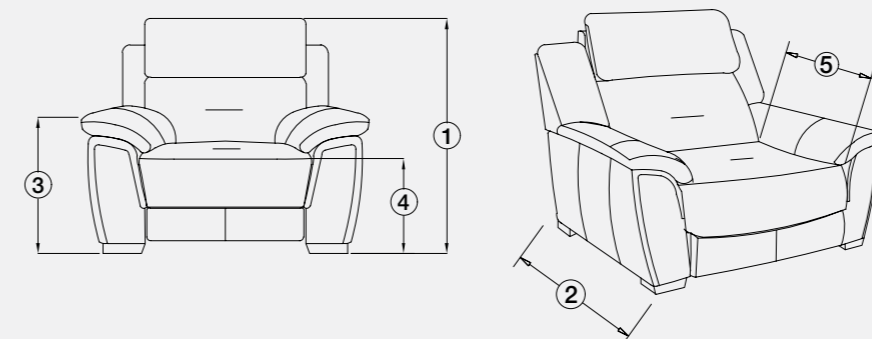


AUSTIN - VARIANTS & DIMENSIONS



Note : This model can be made in any of the above 3 categories

® Recliner



1. Total height - 39" (99cm)
2. Total Depth
 - Total Depth (Before Reclining) - 39.75" (101cm) - 110°
 - Total Depth (TV Position) - 54" (137cm) - 120°
 - Total Depth (After Reclining) - 62" (158cm) - 140°
3. Arm Rest Height - 23.5" (60cm)
4. Seat Height - 19" (48cm)
5. Seat Depth - 23" (59cm)

BONN

3 SEATER (2R) + 2 SEATER (2R) + 1 SEATER (1R)



BONN

3 SEATER (1R) + U-CORNER + 3 SEATER (1R)

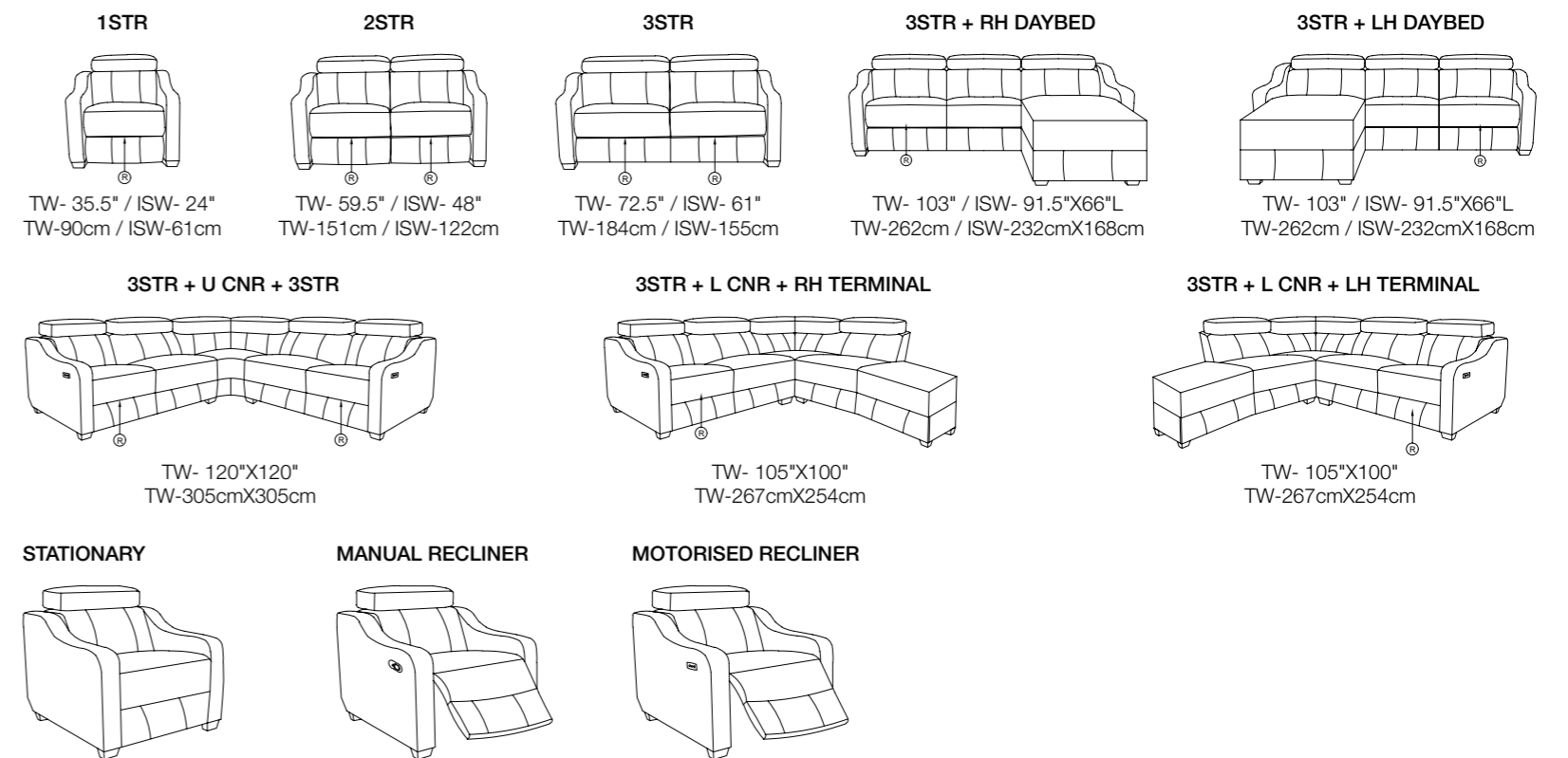


BONN

3 SEATER (1R) + L-CORNER + TERMINAL



BONN - VARIANTS & DIMENSIONS

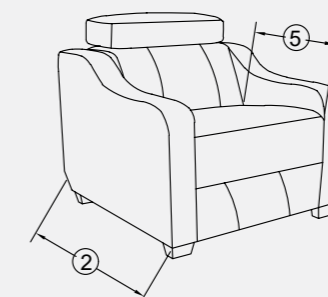
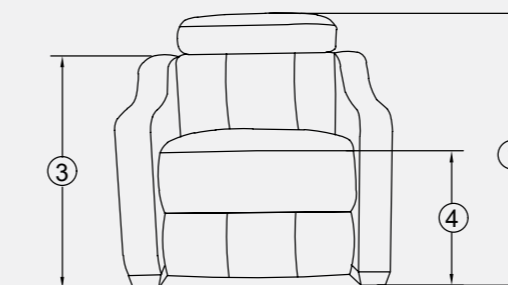


Note : This model can be made in any of the above 3 categories

® Recliner

BONN

3 SEATER (1R) + DAYBED



1. Total height - 33" (84cm)
2. Total Depth
 - Total Depth (Before Reclining) - 40.5" (103cm) - 110°
 - Total Depth (TV Position) - 54" (137cm) - 120°
 - Total Depth (After Reclining) - 58" (147cm) - 140°
3. Arm Rest Height - 22.75" (58cm)
4. Seat Height - 20.5" (52cm)
5. Seat Depth - 21.5" (55cm)

CARTER
3 SEATER (2R) + 2 SEATER (2R) + 1 SEATER (1R)



CARTER
3 SEATER (1R) + U-CORNER + 3 SEATER (1R)



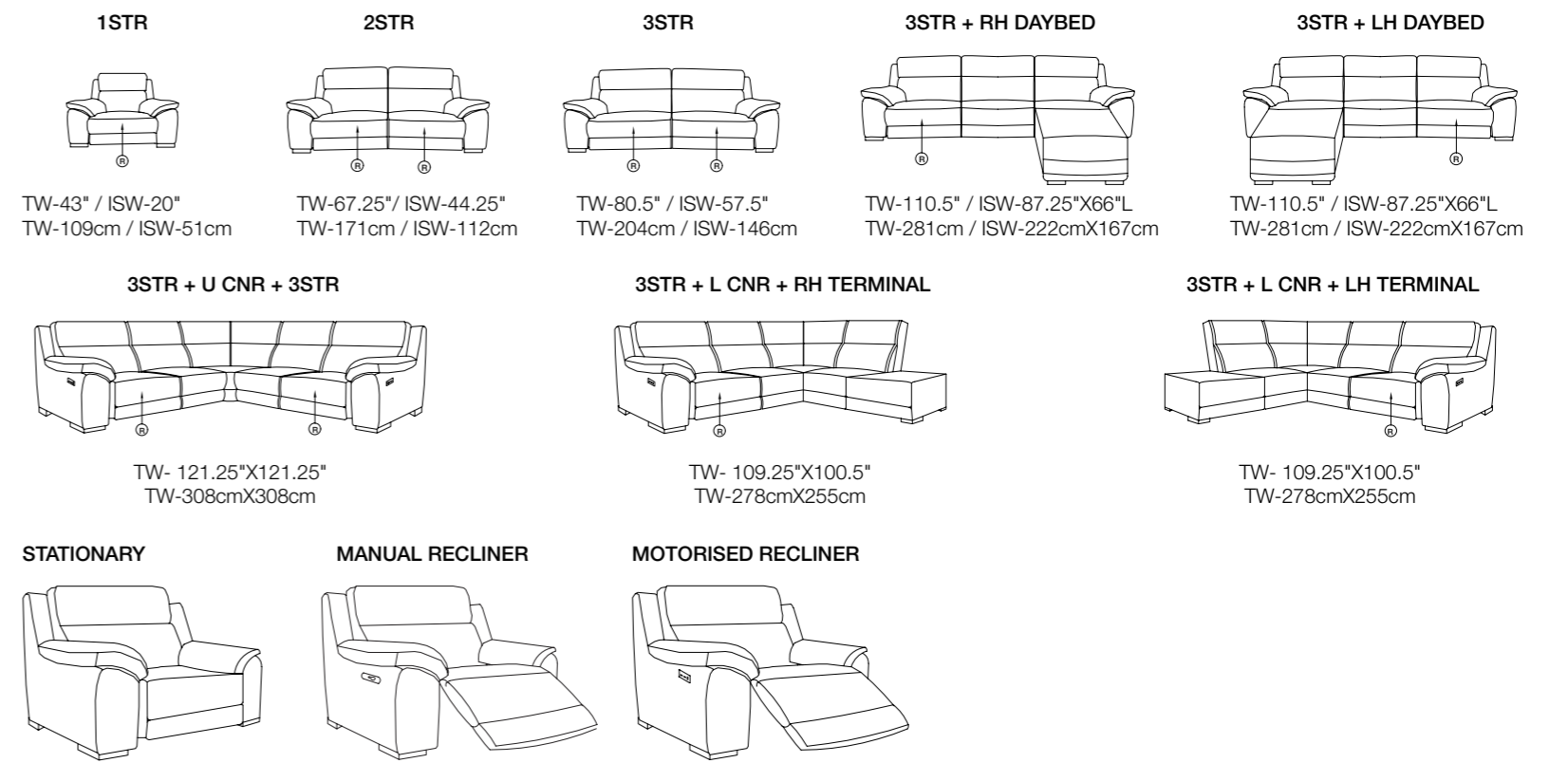
CARTER
3 SEATER (1R) + L-CORNER + TERMINAL



CARTER
3 SEATER (1R) + DAYBED

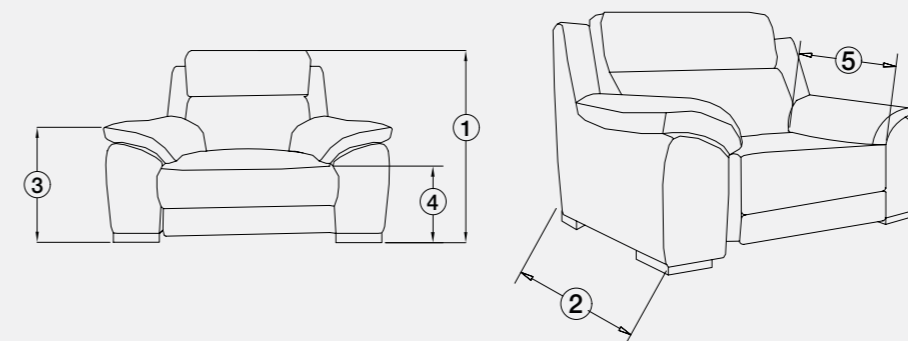


CARTER - VARIANTS & DIMENSIONS



Note : This model can be made in any of the above 3 categories

® Recliner



1. Total height - 40.5" (103cm)
2. Total Depth
 - Total Depth (Before Reclining) - 39.5" (101cm) - 110°
 - Total Depth (TV Position) - 55" (140cm) - 120°
 - Total Depth (After Reclining) - 62.25" (158cm) - 140°
3. Arm Rest Height - 24.5" (62cm)
4. Seat Height - 19.5" (50cm)
5. Seat Depth - 20" (51cm)

CHARLOTTE
3 SEATER (2R) + 2 SEATER (2R) + 1 SEATER (1R)



CHARLOTTE
3 SEATER (1R) + U-CORNER + 3 SEATER (1R)



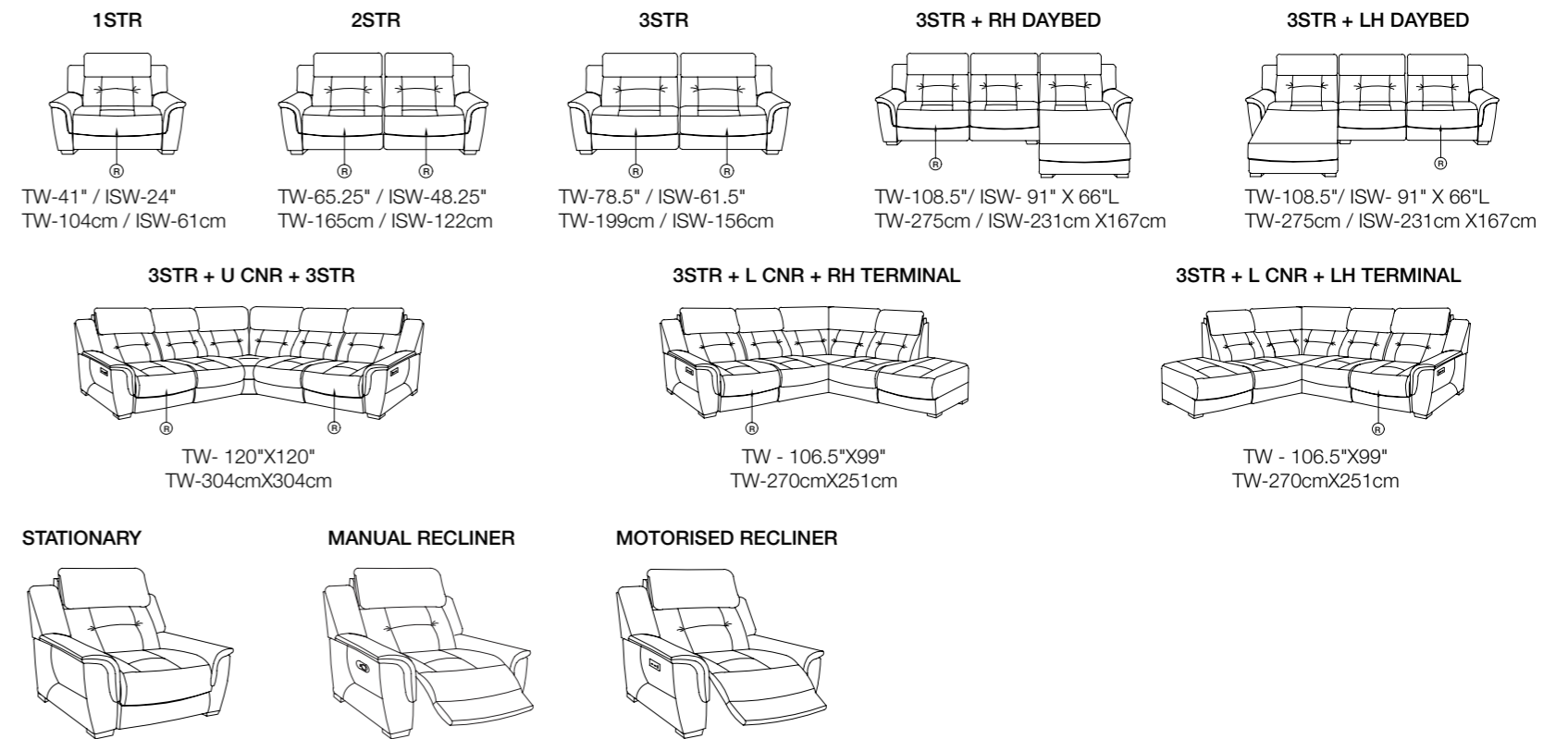
CHARLOTTE
3 SEATER (1R) + L-CORNER + TERMINAL



CHARLOTTE
3 SEATER (1R) + DAYBED

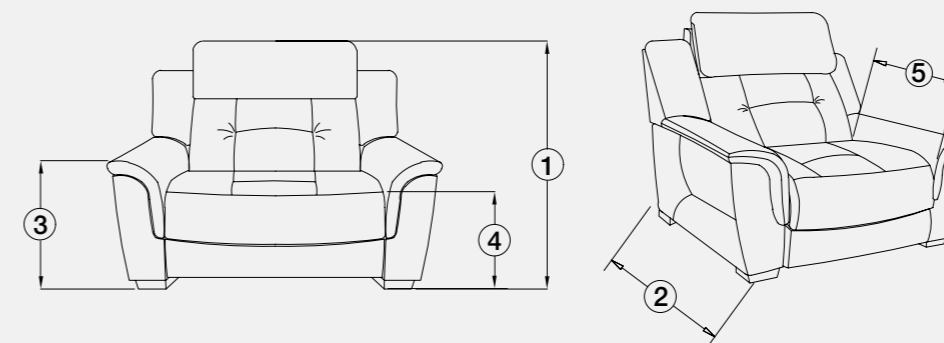


CHARLOTTE - VARIANTS & DIMENSIONS



Note : This model can be made in any of the above 3 categories

® Recliner



1. Total height - 40" (102cm)
2. Total Depth
 - Total Depth (Before Reclining) - 39" (99cm) - 110°
 - Total Depth (TV Position) - 54" (137cm) - 120°
 - Total Depth (After Reclining) - 59.5" (151cm) - 140°
3. Arm Rest Height - 22" (56cm)
4. Seat Height - 19.5" (50cm)
5. Seat Depth - 23" (59cm)

LEO
3 SEATER (2R) + 2 SEATER (2R) + 1 SEATER (1R)



LEO
3 SEATER (1R) + U-CORNER + 3 SEATER (1R)



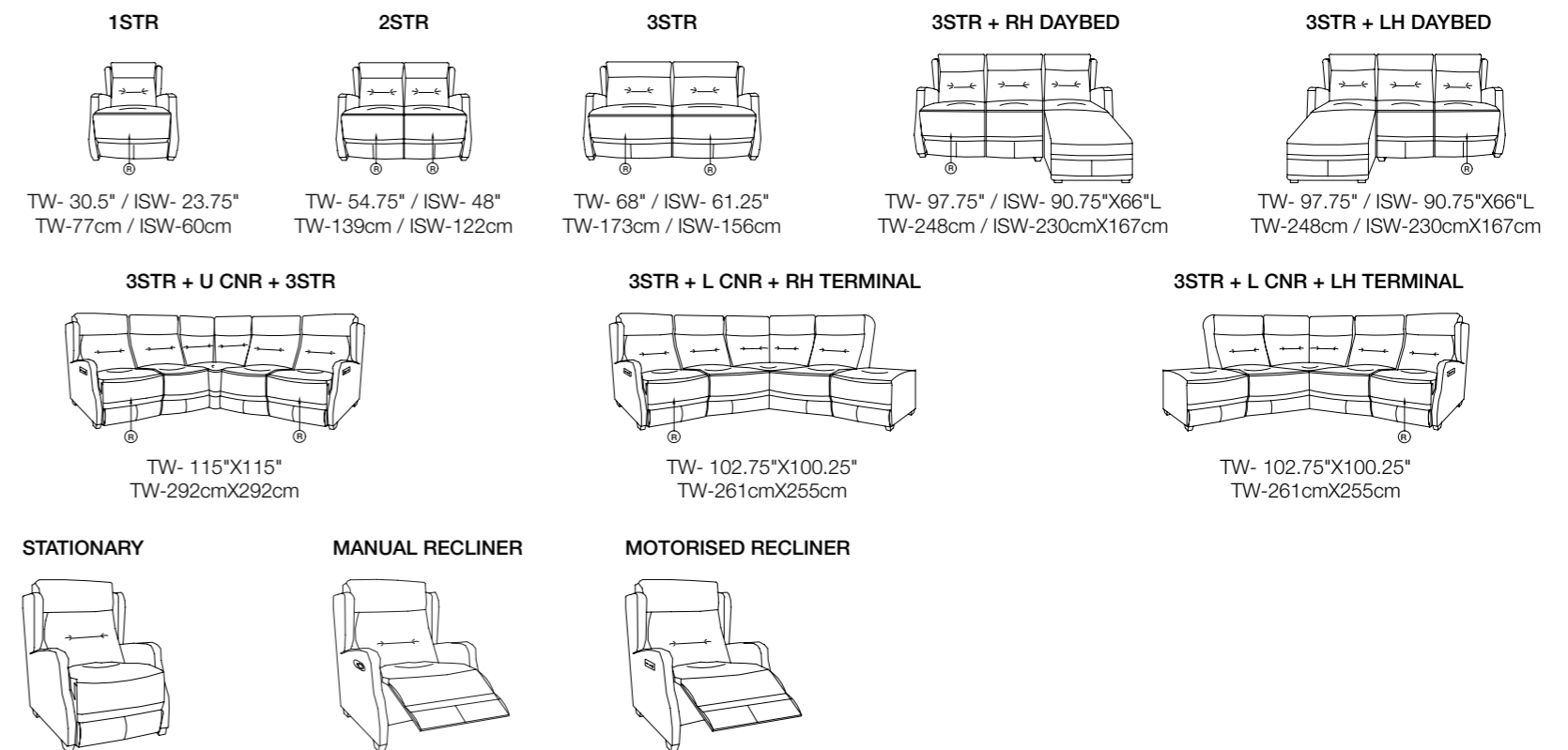
LEO
3 SEATER (1R) + L-CORNER + TERMINAL



LEO
3 SEATER (1R) + DAYBED

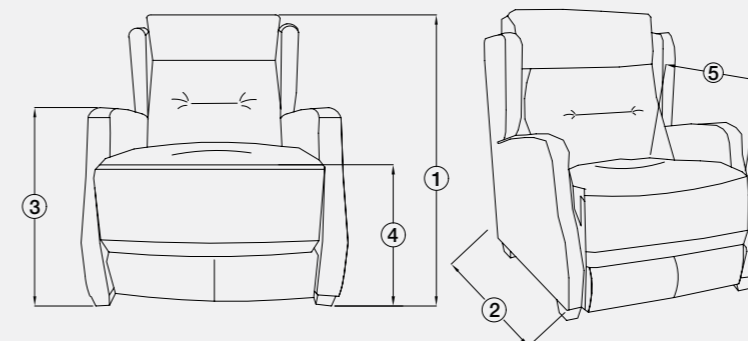


LEO - VARIANTS & DIMENSIONS



Note : This model can be made in any of the above 3 categories

® Recliner



1. Total height - 41" (104cm)
2. Total Depth
 - Total Depth (Before Reclining) - 39.75" (101cm) - 110°
 - Total Depth (TV Position) - 56.5" (144cm) - 120°
 - Total Depth (After Reclining) - 63.25" (161cm) - 140°
3. Arm Rest Height - 23" (59cm)
4. Seat Height - 18.5" (47cm)
5. Seat Depth - 22" (56cm)

LUSTER

3 SEATER (2R) + 2 SEATER (2R) + 1 SEATER (1R)



LUSTER

3 SEATER (1R) + U-CORNER + 3 SEATER (1R)



LUSTER

3 SEATER (1R) + L-CORNER + TERMINAL

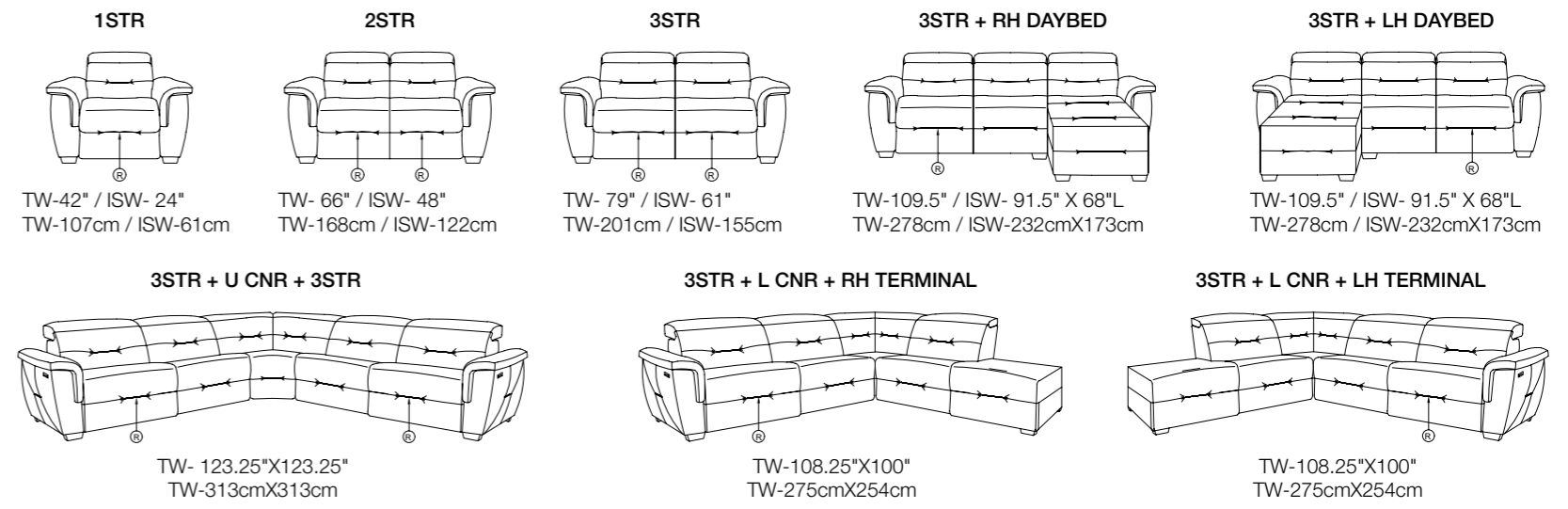


LUSTER

3 SEATER (1R) + DAYBED

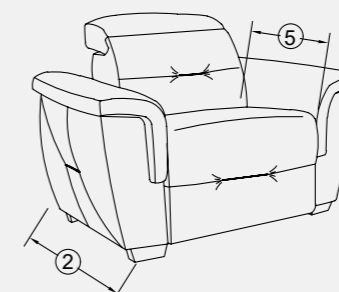
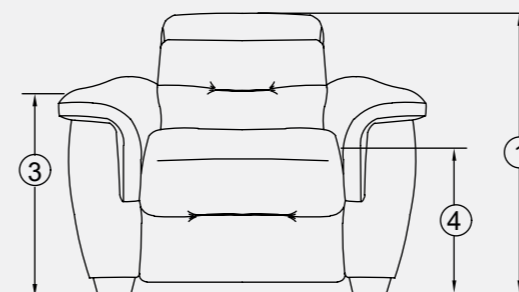


LUSTER - VARIANTS & DIMENSIONS



Note : This model can be made in any of the above 3 categories

® Recliner



1. Total height - 33" (84cm)
2. Total Depth
 - Total Depth (Before Reclining) - 39.5" (100cm) - 110°
 - Total Depth (TV Position) - 56" (142cm) - 120°
 - Total Depth (After Reclining) - 60.5" (154cm) - 140°
3. Arm Rest Height - 24" (61cm)
4. Seat Height - 20" (51cm)
5. Seat Depth - 21" (53cm)

MASON

3 SEATER (2R) + 2 SEATER (2R) + 1 SEATER (1R)



MASON

3 SEATER (1R) + U-CORNER + 3 SEATER (1R)



MASON

3 SEATER (1R) + L-CORNER + TERMINAL



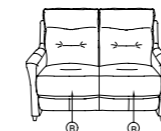
MASON - VARIANTS & DIMENSIONS

1STR



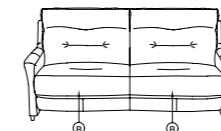
TW- 34" / ISW- 24"
TW-86cm / ISW-61cm

2STR



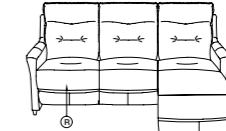
TW- 58.25" / ISW- 48.25"
TW-148cm / ISW-122cm

3STR



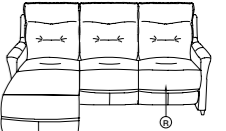
TW- 71.5" / ISW- 61.5"
TW-182cm / ISW-156cm

3STR + RH DAYBED



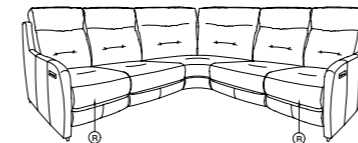
TW- 100.25" / ISW- 90.25"X66"L
TW-255cm / ISW-229cmX167cm

3STR + LH DAYBED



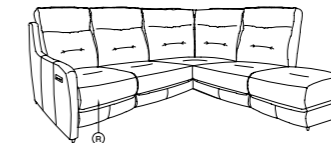
TW- 100.25" / ISW- 90.25"X66"L
TW-255cm / ISW-229cmX167cm

3STR + U CNR + 3STR



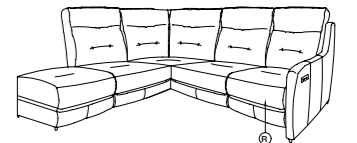
TW- 116.25"X116.25"
TW-295cmX295cm

3STR + L CNR + RH TERMINAL



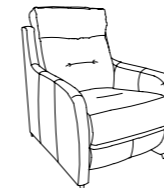
TW- 103.75"X100"
TW-263cmX254cm

3STR + L CNR + LH TERMINAL



TW- 103.75"X100"
TW-263cmX254cm

STATIONARY



MANUAL RECLINER



MOTORISED RECLINER

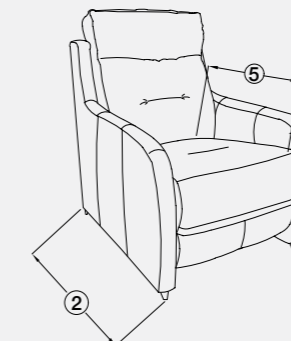
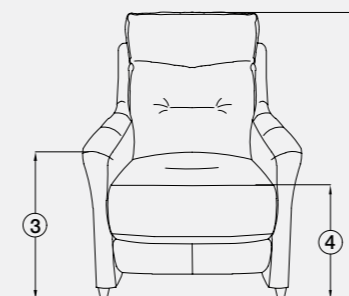


Note : This model can be made in any of the above 3 categories

® Recliner

MASON

3 SEATER (1R) + DAYBED



1. Total height - 42.5" (108cm)
2. Total Depth
 - Total Depth (Before Reclining) - 39.25" (100cm) - 110°
 - Total Depth (TV Position) - 53.5" (136cm) - 120°
 - Total Depth (After Reclining) - 63" (160cm) - 140°
3. Arm Rest Height - 24.75" (63cm)
4. Seat Height - 18" (46cm)
5. Seat Depth - 21.75" (55cm)

OLIVER

3 SEATER (2R) + 2 SEATER (2R) + 1 SEATER (1R)



OLIVER

3 SEATER (1R) + U-CORNER + 3 SEATER (1R)

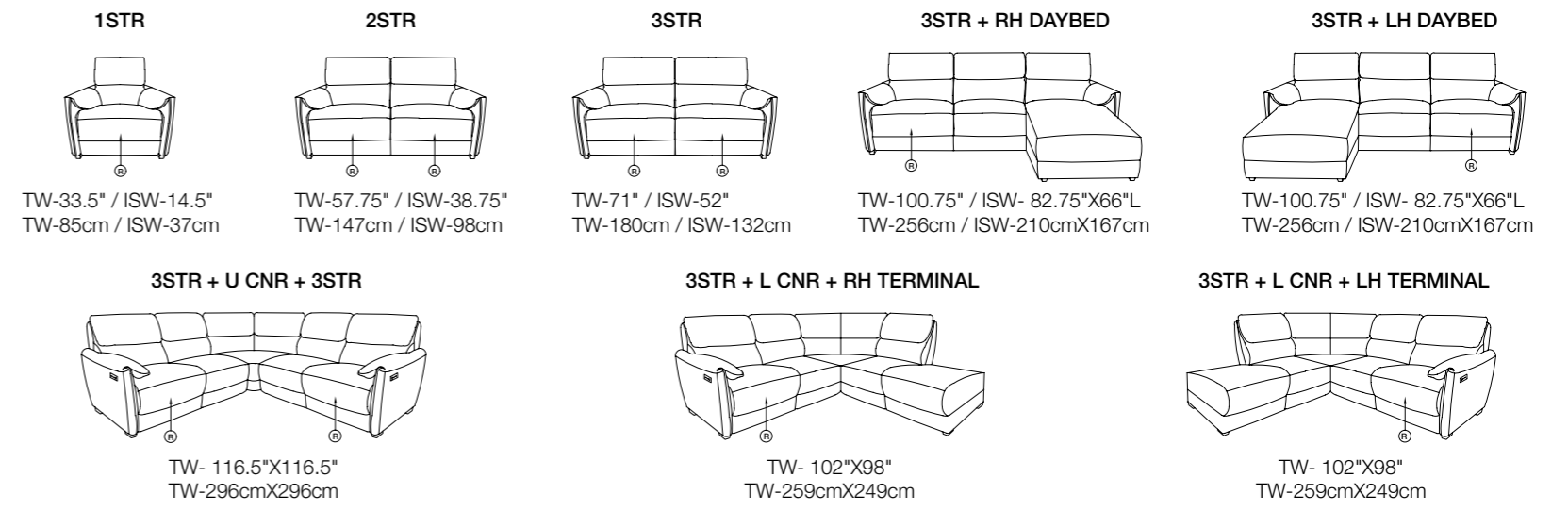


OLIVER

3 SEATER (1R) + L-CORNER + TERMINAL



OLIVER - VARIANTS & DIMENSIONS



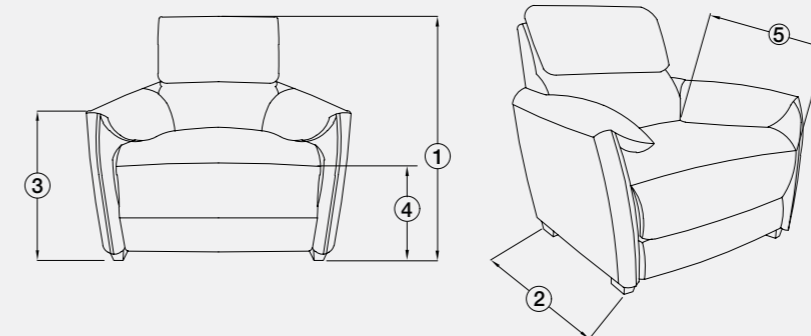
OLIVER

3 SEATER (1R) + DAYBED



Note : This model can be made in any of the above 3 categories

® Recliner



1. Total height - 40" (102cm)
2. Total Depth
 - Total Depth (Before Reclining) - 40" (102cm) - 110°
 - Total Depth (TV Position) - 55.5" (141cm) - 120°
 - Total Depth (After Reclining) - 61.25" (156cm) - 140°
3. Arm Rest Height - 25.5" (65cm)
4. Seat Height - 20" (51cm)
5. Seat Depth - 22" (56cm)

SOPHIE

3 SEATER (2R) + 2 SEATER (2R) + 1 SEATER (1R)



SOPHIE

3 SEATER (1R) + U-CORNER + 3 SEATER (1R)

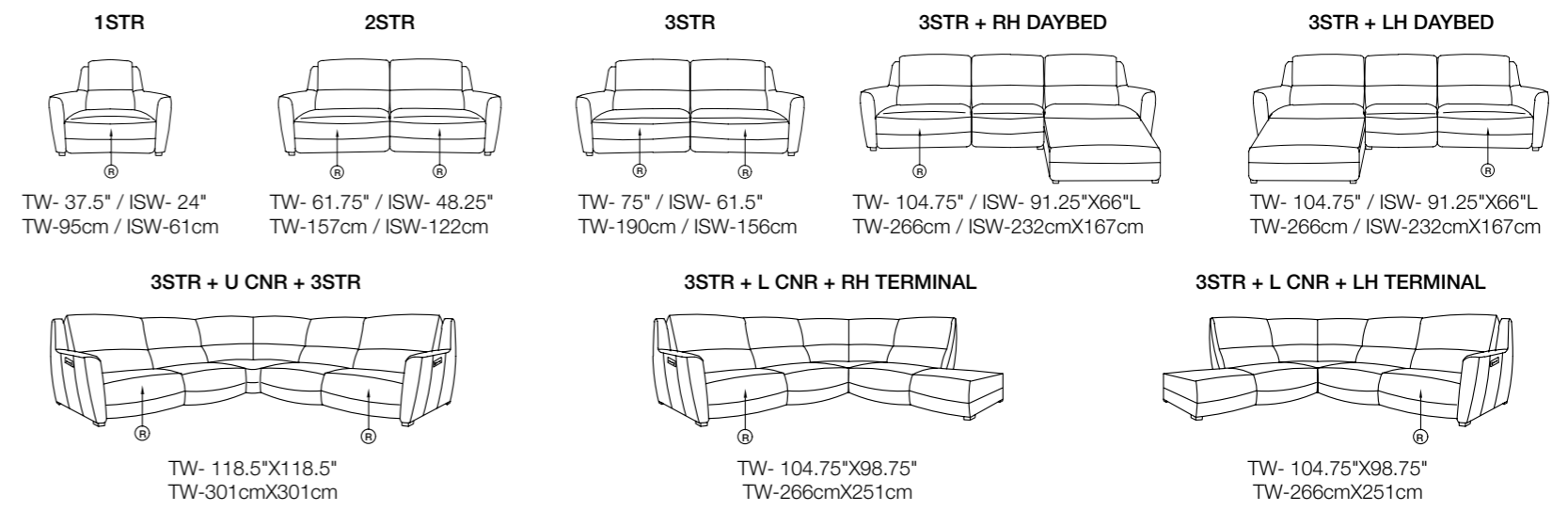


SOPHIE

3 SEATER (1R) + L-CORNER + TERMINAL



SOPHIE - VARIANTS & DIMENSIONS



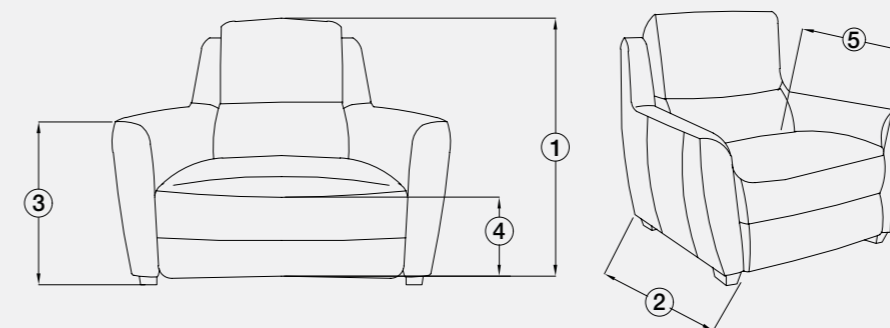
SOPHIE

3 SEATER (1R) + DAYBED



Note : This model can be made in any of the above 3 categories

® Recliner



1. Total height - 38.5" (98cm)
2. Total Depth
 - Total Depth (Before Reclining) - 38" (97cm) - 110°
 - Total Depth (TV Position) - 55" (140cm) - 120°
 - Total Depth (After Reclining) - 61" (155cm) - 140°
3. Arm Rest Height - 23.5" (60cm)
4. Seat Height - 18.75" (48cm)
5. Seat Depth - 21.5" (55cm)

WALTON
3 SEATER (2R) + 2 SEATER (2R) + 1 SEATER (1R)



WALTON
3 SEATER (1R) + U-CORNER + 3 SEATER (1R)



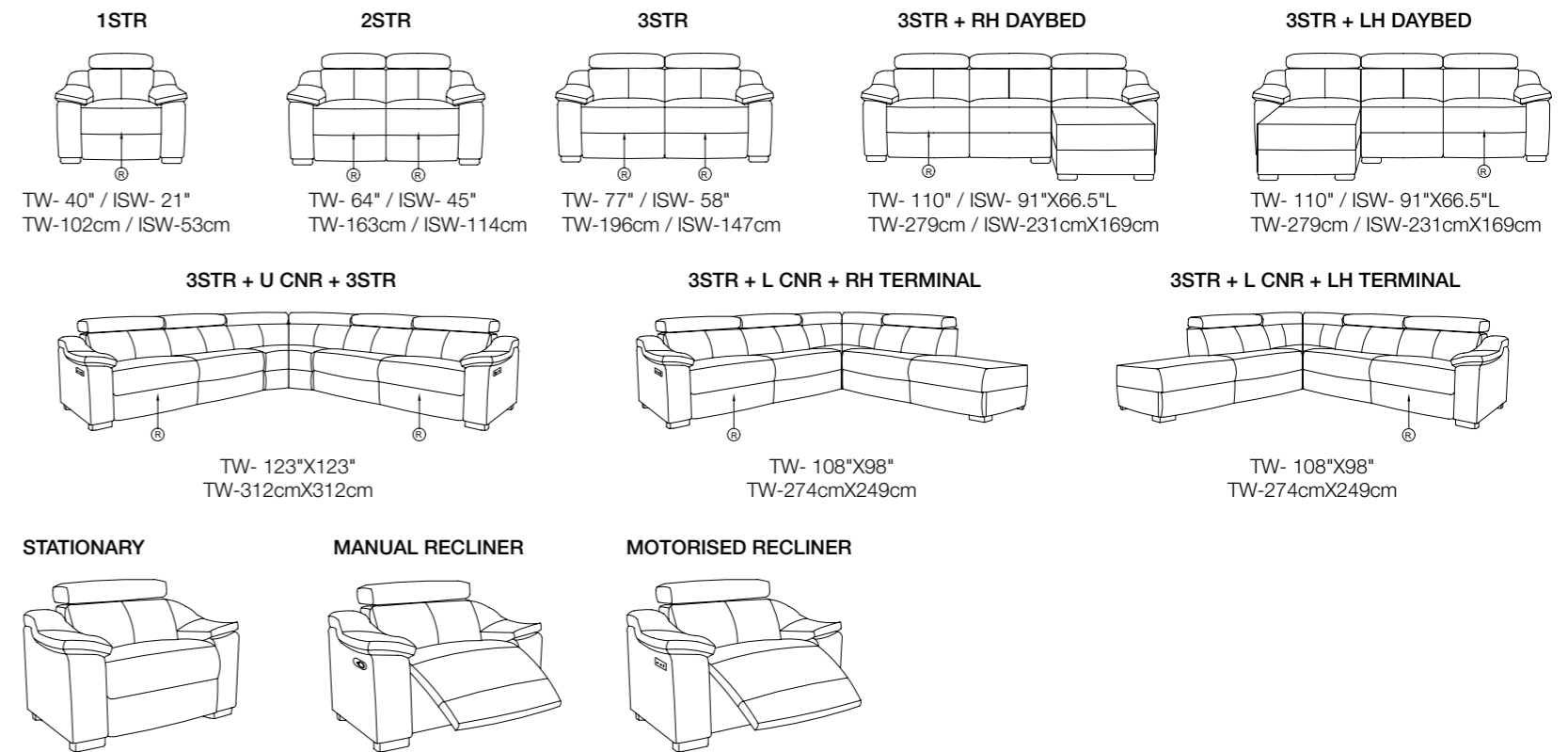
WALTON
3 SEATER (1R) + L-CORNER + TERMINAL



WALTON
3 SEATER (1R) + DAYBED

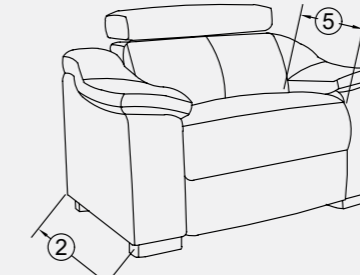
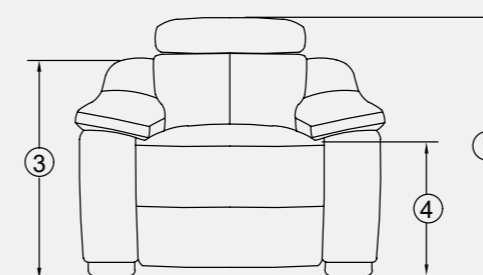


WALTON - VARIANTS & DIMENSIONS



Note : This model can be made in any of the above 3 categories

® Recliner



1. Total height - 34" (86cm)
2. Total Depth
 - Total Depth (Before Reclining) - 39" (99cm) - 110°
 - Total Depth (TV Position) - 56" (142cm) - 120°
 - Total Depth (After Reclining) - 61" (155cm) - 140°
3. Arm Rest Height - 27" (69cm)
4. Seat Height - 19" (48cm)
5. Seat Depth - 21" (53cm)

WILLIAM

3 SEATER (2R) + 2 SEATER (2R) + 1 SEATER (1R)



WILLIAM

3 SEATER (1R) + U-CORNER + 3 SEATER (1R)



WILLIAM

3 SEATER (1R) + L-CORNER + TERMINAL

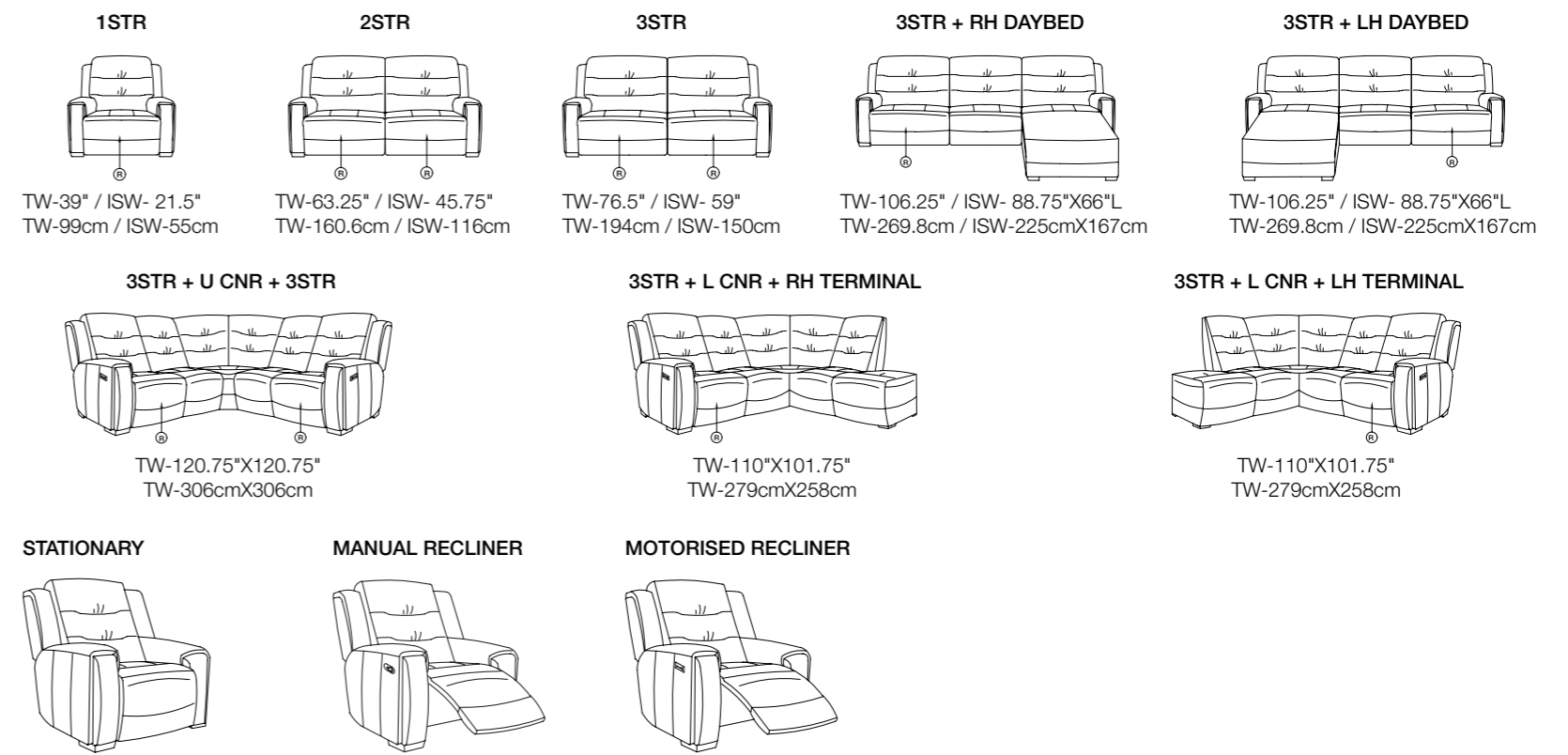


WILLIAM

3 SEATER (1R) + DAYBED

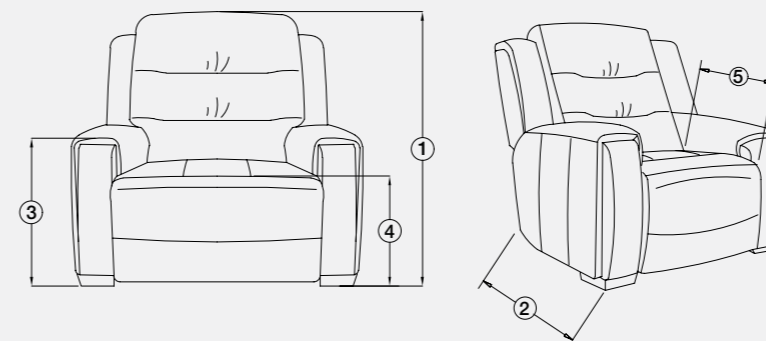


WILLIAM - VARIANTS & DIMENSIONS



Note : This model can be made in any of the above 3 categories

® Recliner

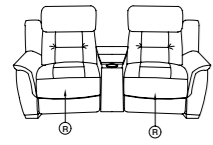


1. Total Height - 42" (170cm)
2. Total Depth
 - Total Depth (Before Reclining) - 41" (104cm) - 110°
 - Total Depth (TV Position) - 57.5" (146cm) - 120°
 - Total Depth (After Reclining) - 65" (166cm) - 140°
3. Arm Rest Height - 25.5" (65cm)
4. Seat Height - 19.5" (50cm)
5. Seat Depth - 22" (56cm)



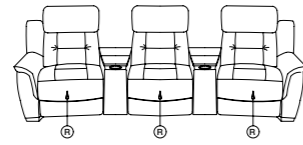
CHARLOTTE - VARIANTS & DIMENSIONS

1STR+CONSOLE+1STR



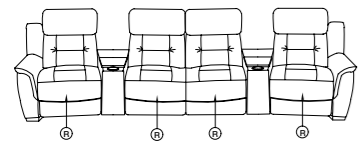
TW - 80"
TW - 203cm

1STR+CONSOLE+1STR+CONSOLE+1STR



TW - 122.5"
TW - 311cm

1STR+CONSOLE+2STR+CONSOLE+1STR



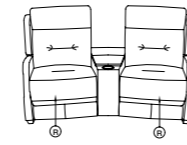
TW - 146.25"
TW - 372cm

MOTORISED RECLINER



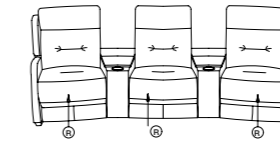
LEO - VARIANTS & DIMENSIONS

1STR+CONSOLE+1STR



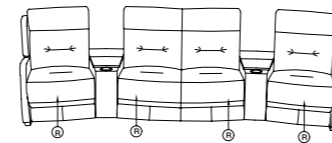
TW - 73.5"
TW - 187cm

1STR+CONSOLE+1STR+CONSOLE+1STR



TW - 116"
TW - 295cm

1STR+CONSOLE+2STR+CONSOLE+1STR

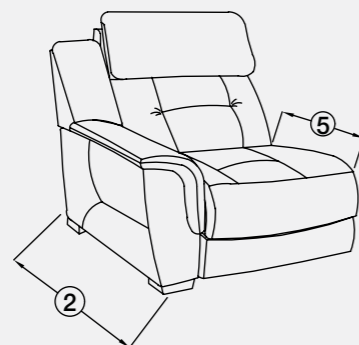
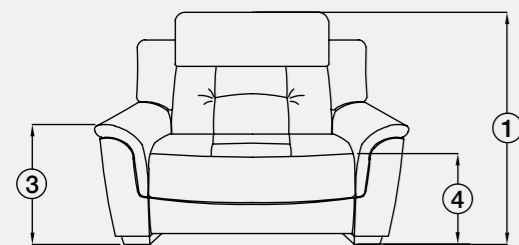


TW - 140"
TW - 356cm

MOTORISED RECLINER

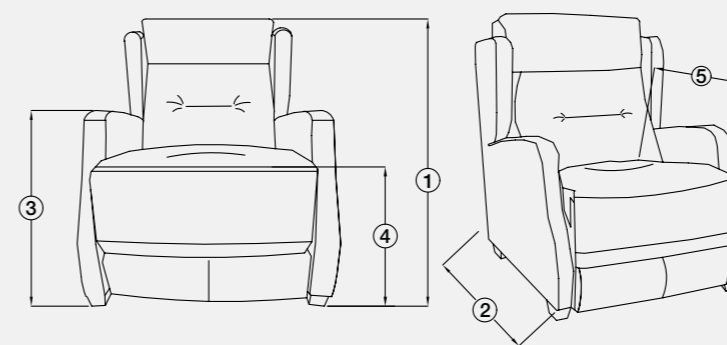


® Recliner



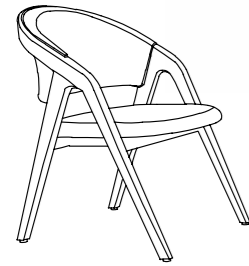
1. Total height - 40"(102cm)
2. Total Depth
 - Total Depth(Before Reclining) - 39"(99cm)-110°
 - Total Depth(TV Position) - 54"(137cm)-120°
 - Total Depth(After Reclining) - 59.5"(151cm)-140°
3. Arm Rest Height - 22"(56cm)
4. Seat Height - 19.5"(50cm)
5. Seat Depth - 23"(59cm)

® Recliner



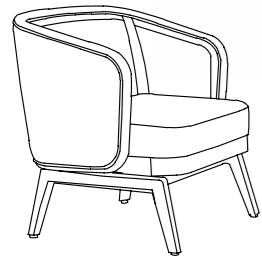
1. Total height - 41"(104cm)
2. Total Depth
 - Total Depth(Before Reclining) - 39.75"(101cm)-110°
 - Total Depth(TV Position) - 56.5"(144cm)-120°
 - Total Depth(After Reclining) - 63.25"(161cm)-140°
3. Arm Rest Height - 23"(59cm)
4. Seat Height - 18.5"(47cm)
5. Seat Depth - 22"(56cm)

**CLARA
CHAIR**



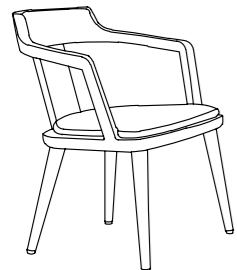
1. Total height - 32"(81cm)
2. Arm rest height - 24.5"(62cm)
3. Seat height - 18"(46cm)
4. Seat depth - 15.5"(39cm)
5. Total depth - 27.5"(70cm)
6. Total Width - 22"(56cm)
7. Inside Seat Width - 19"(48cm)

**LAREDO
CHAIR**



1. Total height - 30"(76cm)
2. Seat height - 16.5"(42cm)
3. Seat depth - 20.5"(52cm)
4. Arm rest height - 26.5"(67cm)
5. Total depth - 25.5"(65cm)
6. Total Width - 24.5"(62cm)
7. Inside Seat Width - 20.5"(52cm)

**MASON
CHAIR**



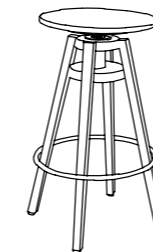
1. Total height - 30.5"(77cm)
2. Seat height - 18.5"(47cm)
3. Seat depth - 19"(48cm)
4. Arm rest height - 26"(66cm)
5. Total depth - 24"(61cm)
6. Total Width - 23.5"(60cm)
7. Inside Seat Width - 20.5"(52cm)

**VELLISTUB
BAR CHAIR**



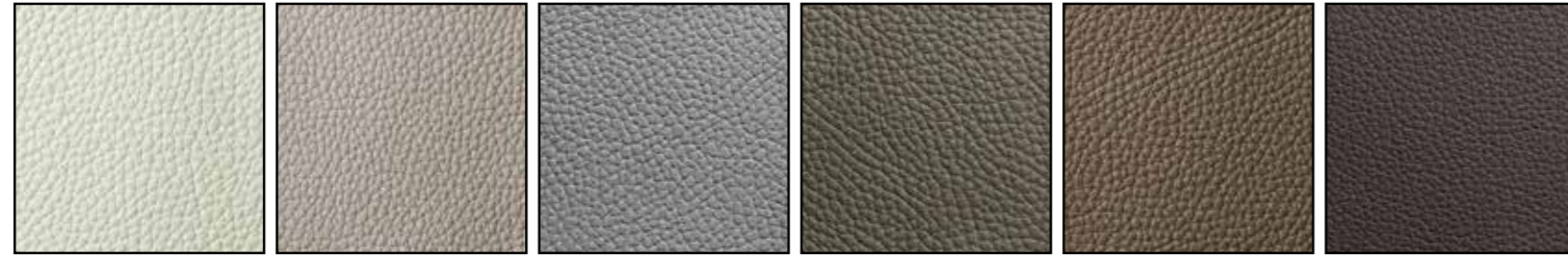
1. Total height - 42"(107cm)
2. Seat height - 30"(76cm)
3. Seat depth - 17.5"(44cm)
4. Total depth - 22.5"(57cm)
5. Total width - 21.5"(55cm)
6. Inside Seat Width - 17.5"(44cm)

**VELLISTUB
BAR STOOL**



1. Total height - 30"(76cm)
2. Seat depth - 15.5"(39cm)
3. Total depth - 20"(51cm)

SCANDINAVIA MAX - GENUINE LEATHER



VANILLA DREAM SM#1204 ICE AGE SM#1209 INDUSTRIAL GREY SM#1238 HUSKY COAT SM#12333 STONE RIVER SM#1235 SHALLOW MOSS SM#1236



DUSKY TAN SM#1241 BED FORD BROWN SM#1245 SINGLE MALT SM#1224

BISON BRUTE - GENUINE LEATHER



SMOKEY HEAVEN B#1406 SADDLE TAN B#1402 NEW GALAXY B#1404 MUSHROOM MEADOW B#1401 MOON RIVER B#1405 MAGIC BROWN B#1403

SCANDINAVIA - GENUINE LEATHER

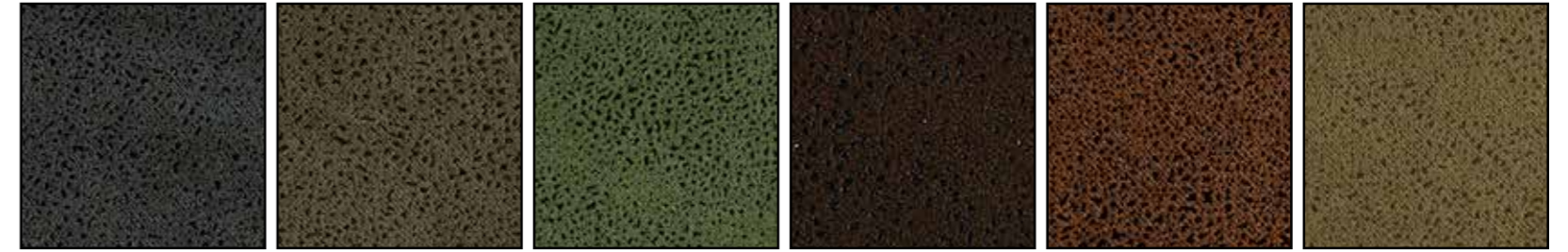


SIBERIAN SUNSHINE #0201 DANISH VANILLA #0203 BOTHNIA BEIGE #0204 FADING LIGHT #0205 BALTIQUE MUSHROOM #0206 HUSKEY #0207



OSLO RUST #0208 NOUGAT #0209 ARCTIC DARK S#0212

NEW ORLANDO - FABRIC



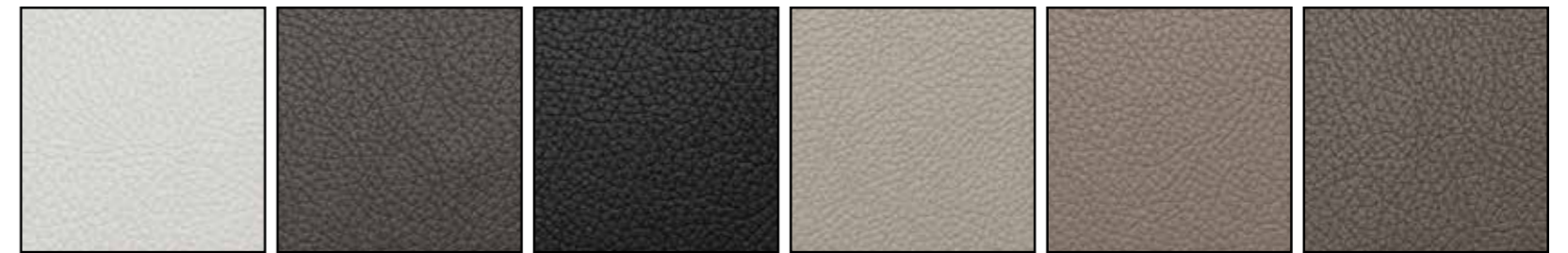
O#915 O#912 O#911 O#908 O#906 O#904

MORACCO - FABRIC



M#0902 M#0925 M#0926 M#0906 M#0905 M#0903

ARTE LUST - PU



AL #0101 AL #0108 AL #0112 AL #0102 AL #0103 AL #0107



AL #0104 AL #0106 AL #0105 AL #0110 AL #0109 AL #0111

STANLEY OEM SOFAS LTD.,

#68/A, Bommasandra Industrial Area, 1st Phase, Bangalore - 560099.

Call: +91 99451 72300

Email: rohit@stanleylifestyles.com